

PARTS LIST

CAUTION

- The parts identified by the \triangle symbol are important for the safety . Whenever replacing these parts, be sure to use specified ones to secure the safety .
- The parts not indicated in this Parts List and those which are filled with lines --- in the Parts No. columns will not be supplied .
- P. W. Board Ass'y will not be supplied, but those which are filled with the Parts No. in the Parts No. columns will be supplied .

ABBREVIATIONS OF RESISTORS, CAPACITORS AND TOLERANCES

RESISTORS		CAPACITORS	
C R	Carbon Resistor	C CAP.	Ceramic Capacitor
F R	Fusible Resistor	E CAP.	Electrolytic Capacitor
P R	Plate Resistor	M CAP.	Mylar Capacitor
V R	Variable Resistor	HV CAP.	High Voltage Capacitor
HV R	High Voltage Resistor	MF CAP.	Metalized Film Capacitor
MF R	Metal Film Resistor	MM CAP.	Metalized Mylar Capacitor
MG R	Metal Glazed Resistor	MP CAP.	Metalized Polystyrol Capacitor
MP R	Metal Plate Resistor	PP CAP.	Polypropylene Capacitor
OM R	Metal Oxide Film Resistor	PS CAP.	Polystyrol Capacitor
CMF R	Coating Metal Film Resistor	TF CAP.	Thin Film Capacitor
UNF R	Non-Flammable Resistor	MPP CAP.	Metalized Polypropylene Capacitor
CH V R	Chip Variable Resistor	TAN. CAP.	Tantalum Capacitor
CH MG R	Chip Metal Glazed Resistor	CH C CAP.	Chip Ceramic Capacitor
COMP. R	Composition Resistor	BP E CAP.	Bi-Polar Electrolytic Capacitor
LPTC R	Linear Positive Temperature Coefficient Resistor	CH AL E CAP.	Chip Aluminum Electrolytic Capacitor
		CH AL BP CAP.	Chip Aluminum Bi-Polar Capacitor
		CH TAN. E CAP.	Chip Tantalum Electrolytic Capacitor
		CH AL BP E CAP.	Chip Tantalum Bi-Polar Electrolytic Capacitor

RESISTORS									
F	G	J	K	M	N	R	H	Z	P
±1%	±2%	±5%	±10%	±20%	±30%	+30% -10%	+50% -10%	+80% -20%	+100% 0%

CONTENTS

USING P.W. BOARD & REMOTE CONTROL UNIT	39
EXPLODED VIEW PARTS LIST-I	39
EXPLODED VIEW-I	39
EXPLODED VIEW PARTS LIST-II	40
EXPLODED VIEW-II	41
EXPLODED VIEW PARTS LIST-III	42
EXPLODED VIEW-III	42
PRINTED WIRING BOARD PARTS LIST (AV-29LXB, AV-29LXB-A)	
MAIN PW BOARD ASS'Y	43
CRT SOCKET PW BOARD ASS'Y	47
FRONT CONTROL PW BOARD ASS'Y	48
REMOTE CONTROL UNIT PARTS LIST (RM-C357-1C)	48
PACKING / PACKING PARTS LIST	49

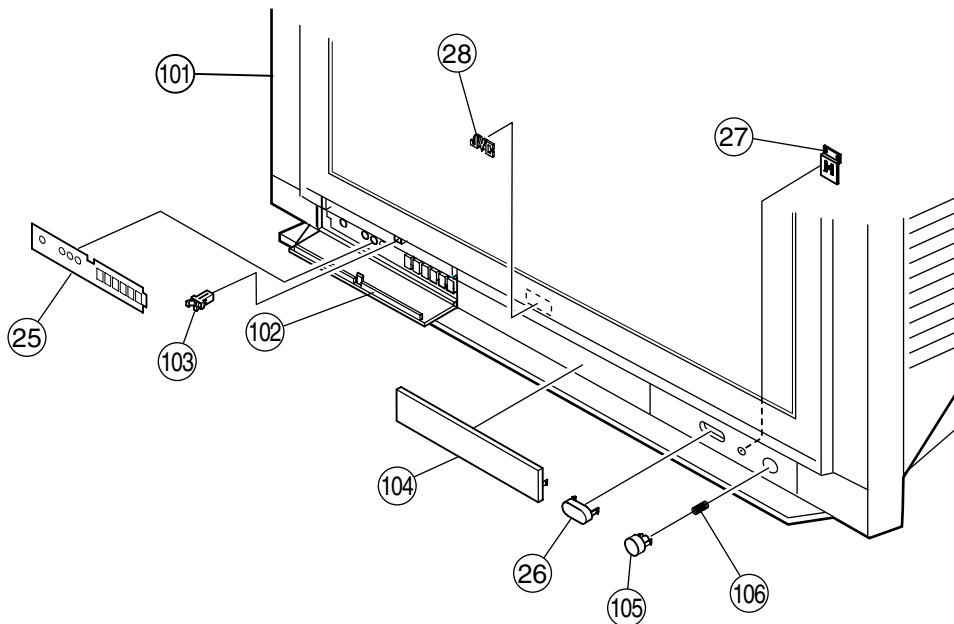
USING P.W. BOARD & REMOTE CONTROL UNIT

P.W.B ASS'Y	Model	AV-29LXB	AV-29LXB-A
MAIN PWB		SCH-1011A-H2	←
CRT SOCKET PWB		SCH-3001A-H2	←
FRONT CONTROL PWB		SCH-8001A-H2	←
REMOTE CONTROL UNIT		RM-C357-1C	←

EXPLODED VIEW PARTS LIST-I

△ Ref.No.	Part No.	Part Name	Description	Local
25	LC20778-001A-H	OPERATION SHEET		
26	LC31474-001A-H	CONTROL WINDOW		
27	LC31476-001B-H	LED LENS		
28	LC41037-001A	JVC MARK		
101	LC11193-003B-H	FRONT CABINET ASS'Y	Inc. No. 102-106	
102	LC20776-003A-H	DOOR		
103	CM48229-00A-C	DOOR LATCH		
104	LC20777-001D-H	CENTRE PLATE		
105	LC31475-001B-H	POWER KNOB		
106	CM35235-003-H	SPRING		

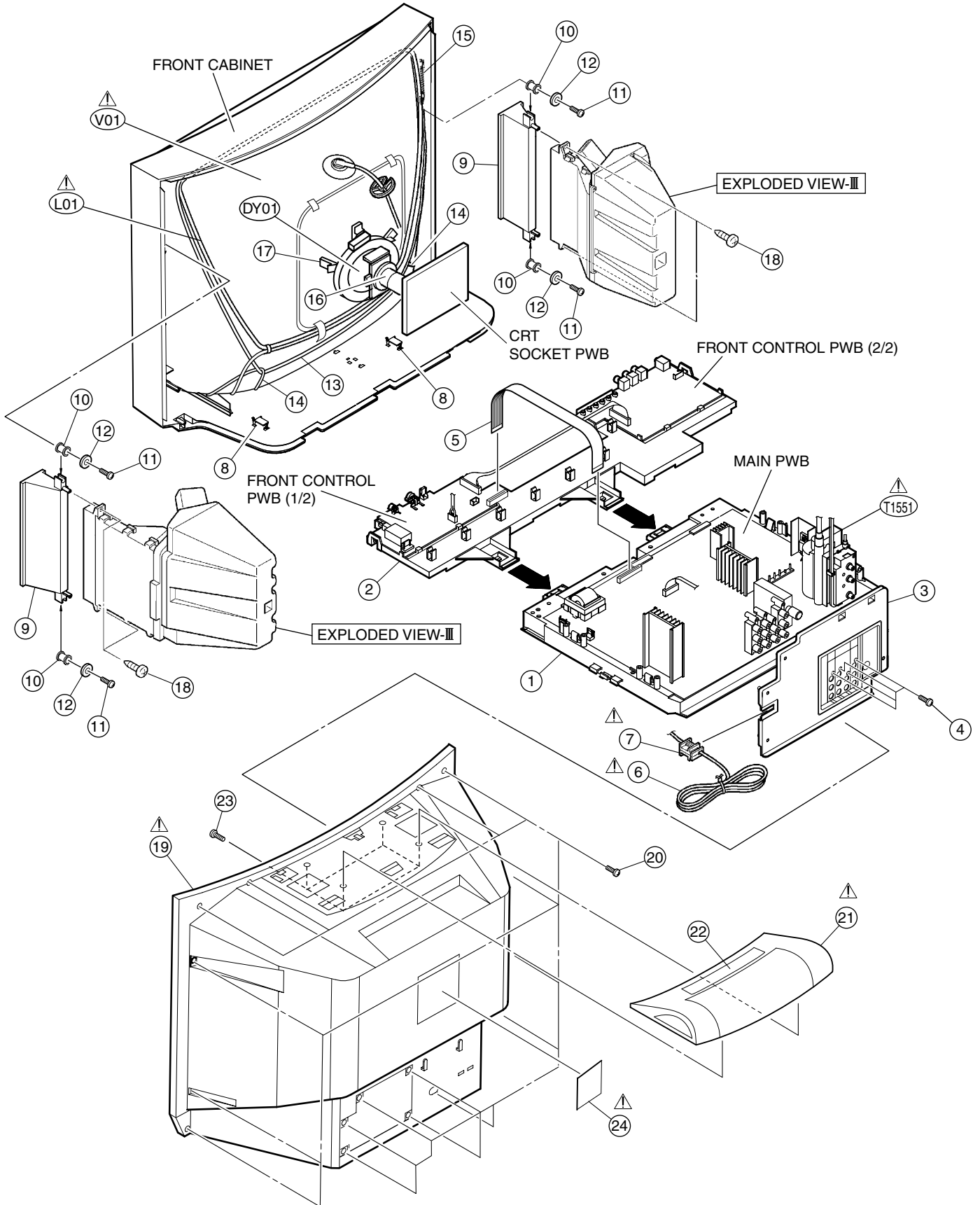
EXPLODED VIEW-I



EXPLODED VIEW PARTS LIST-II

△ Ref.No.	Part No.	Part Name	Description	Local
△ V01	A68QCU259X	PICTURE TUBE		
△ L01	QQW0113-001	DEG COIL		
△ DY01	QQD0057-001	DEF YOKE		
△ T1551	QQH0096-001	FBT		
1	LC11061-001A-H	CHASSIS BASE		
2	LC11062-001C-H	CONTROL BASE		
3	LC11064-002A-H	AV TERMINAL BOARD		
4	QYSBSF3012M	TAPPING SCREW	(X4)	
5	CHFD125-18BD-N	FFC WIRE		
△ 6	QMP40D0-200J5	POWER CORD	[AV-29LXB]	
△ 6	QMPR010-200-E2	POWER CORD	[AV-29LXB-A]	
△ 7	CM23167-A01-H	POWER CORD CLAMP		
8	LC30103-001B-H	CHASSIS ADAPTER	(X2)	
9	LC10767-001A-H	DOME ADAPTER	(X2)	
10	LC40226-003A-H	SPACER	(X4)	
11	LC40317-002A-H	TAPPING SCREW	(X4)	
12	LC40573-002A-H	WASHER	(X4)	
13	WJY0018-001A	BRAIDED ASS'Y		
14	CHGB0017-0C	BRAIDED ASS'Y (SUB)	(X2)	
15	A48457-3-H	SPRING		
16	CE42568-00A	PC MAGNET		
17	CE40764-00A	WEDGE ASS'Y	(X4)	
18	QYSBSBG4016Z	TAPPING SCREW	(X4)	
△ 19	LC10763-005A-HH	REAR COVER		
20	QYSBSFG4016Z	TAPPING SCREW	(X16)	
△ 21	LC10770-002A-H	TOP GRILLE		
22	LC31074-002A-H	TOP PLATE		
23	QYSBSFG4016Z	TAPPING SCREW	(X4)	
△ 24	LC20377-010B-H	RATING LABEL	[AV-29LXB]	
△ 24	LC20413-002B-H	RATING LABEL	[AV-29LXB-A]	

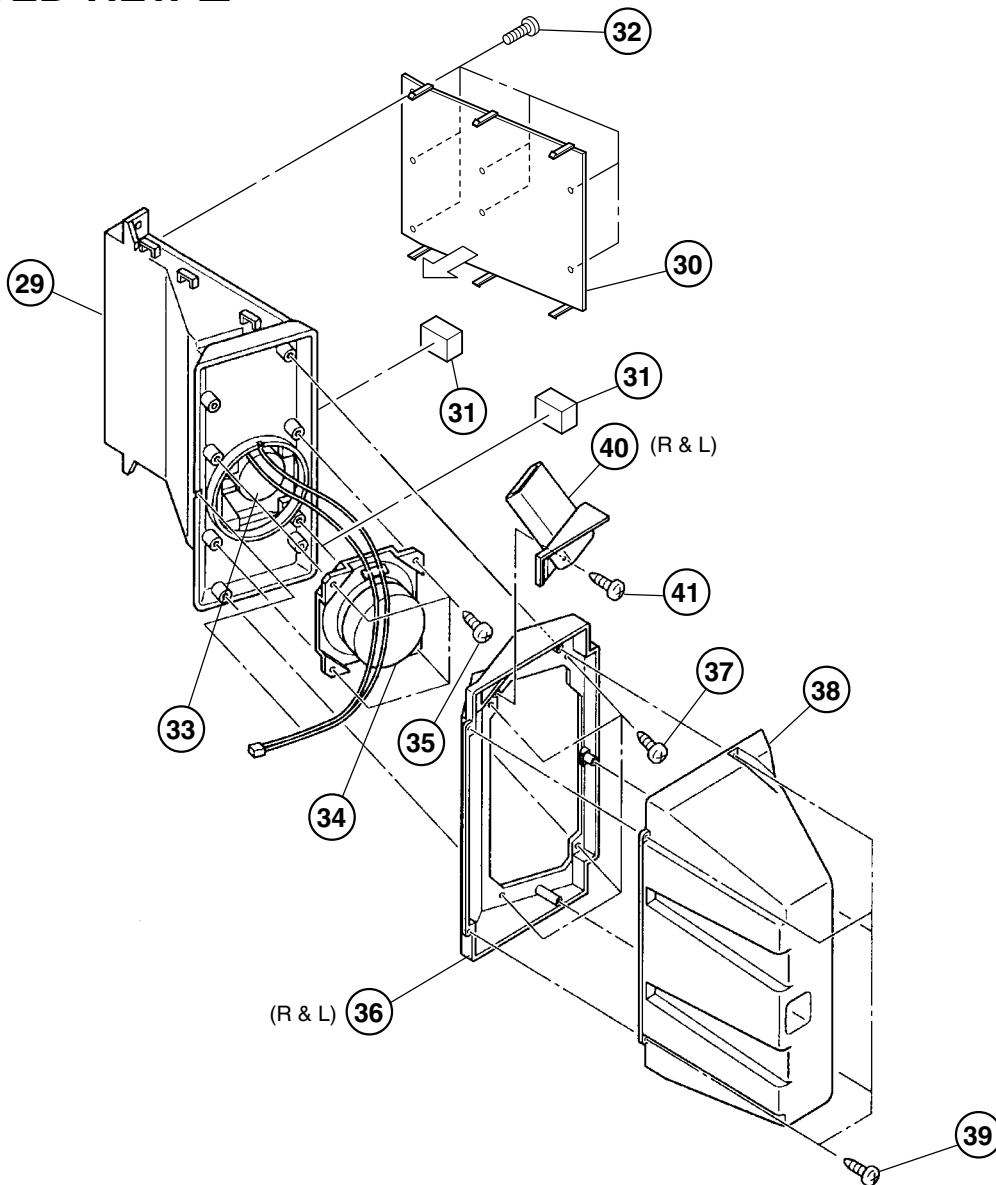
EXPLODED VIEW-II



EXPLODED VIEW PARTS LIST-III

△ Ref.No.	Part No.	Part Name	Description	Local
29	LC10050-001A-H	HORN	(X2)	
30	LC10051-001A-H	DOME COVER	(X2)	
31	CM47846-005-H	DOME ABSORBER	(X4)	
32	QYSBSFG4016Z	TAPPING SCREW	(X14)	
33	CEBSS03K-01KJ2	SPEAKER	(X2) SP03, SP04	
34	CEBSF10P-07KJ6	SPEAKER	(X2) SP01, SP02	
35	QYSBSFG4016Z	TAPPING SCREW	(X8)	
36	CM12945-B01-H	DOME RING(R)		
36	CM12945-B02-H	DOME RING(L)		
37	QYSBSFG4016Z	TAPPING SCREW	(X8)	
38	CM12946-B01-H	DOME BOX	(X2)	
39	QYSGSFG4016Z	TAPPING SCREW	(X10)	
40	CM23139-A01-H	REFLECTOR(R)		
40	CM23139-B02-H	REFLECTOR(L)		
41	QYSBSFG4016Z	TAPPING SCREW	(X2)	

EXPLODED VIEW-III



PRINTED WIRING BOARD PARTS LIST (AV-29LXB,AV-29LXB-A)

MAIN PW BOARD ASS'Y(SCH-1011A-H2)

△ Symbol No.	Part No.	Part Name	Description	Local	△ Symbol No.	Part No.	Part Name	Description	Local
RESISTOR					RESISTOR				
R1001-02	NRSA63J-221X	MG R	220Ω 1/16W J		R1492	NRSA63J-822X	MG R	8.2kΩ 1/16W J	
R1003	NRSA63J-392X	MG R	3.9kΩ 1/16W J		R1493	QRE121J-223Y	C R	22kΩ 1/2W J	
R1004	NRSA63J-221X	MG R	220Ω 1/16W J		R1494	QRL03EJ-560X	OM R	56Ω 3W J	
R1006	NRSA63J-273X	MG R	27kΩ 1/16W J		R1494	QRL03EJ-330X	OM R	33Ω 3W J	
R1101	NRSA63J-100X	MG R	10Ω 1/16W J		R1521	NRSA63J-101X	MG R	100Ω 1/16W J	
R1102	NRSA63J-682X	MG R	6.8kΩ 1/16W J		R1522	NRSA63J-102X	MG R	1kΩ 1/16W J	
R1103	NRSA63J-272X	MG R	2.7kΩ 1/16W J		R1523-24	QRL03EJ-151X	OM R	150Ω 3W J	
R1104	NRSA63J-181X	MG R	180Ω 1/16W J		R1526	QRL029J-271	OM R	270Ω 2W J	
R1105	NRSA63J-220X	MG R	22Ω 1/16W J		R1527	QRL03EJ-103X	OM R	10kΩ 3W J	
R1106	NRSA63J-101X	MG R	100Ω 1/16W J		R1528	QRX029J-3R3	MF R	3.3Ω 2W J	
R1107	NRSA63J-472X	MG R	4.7kΩ 1/16W J		R1529	QRX029J-3R3	MF R	3.3Ω 2W J	
R1108-09	NRSA63J-222X	MG R	2.2kΩ 1/16W J		R1531	NRSA63J-182X	MG R	1.8kΩ 1/16W J	
R1111	NRSA63J-102X	MG R	1kΩ 1/16W J		△ R1532	QRZ9017-4R7	F R	4.7Ω 1/4W J	
R1112	NRSA63J-103X	MG R	10kΩ 1/16W J		R1541-42	QRE121J-124Y	C R	120kΩ 1/2W J	
R1113	NRSA63J-271X	MG R	270Ω 1/16W J		R1543	QRE121J-471Y	C R	470Ω 1/2W J	
R1114	NRSA63J-821X	MG R	820Ω 1/16W J		R1545	QRE121J-220Y	C R	22Ω 1/2W J	
R1115	NRSA63J-181X	MG R	180Ω 1/16W J		R1546	QRE121J-822Y	C R	8.2kΩ 1/2W J	
R1117	NRSA63J-102X	MG R	1kΩ 1/16W J		R1561	QRL02EJ-220X	OM R	22Ω 2W J	
R1119	NRSA63J-102X	MG R	1kΩ 1/16W J		R1562	QRE121J-123Y	C R	12kΩ 1/2W J	
R1120	NRSA63J-471X	MG R	470Ω 1/16W J		R1563	QRZ0056-103Z	COMP.R	10kΩ 1/2W K	
R1130	NRSA63J-472X	MG R	4.7kΩ 1/16W J		R1591	QRA14CF-1202Y	MF R	12kΩ 1/4W F	
R1131	NRSA63J-471X	MG R	470Ω 1/16W J		R1592	QRZ0221-2R2	UNF R	2.2Ω	
R1132	NRSA63J-222X	MG R	2.2kΩ 1/16W J		R1593	NRSA02F-332X	MG R	3.3kΩ 1/10W F	
R1133	NRSA63J-152X	MG R	1.5kΩ 1/16W J		R1594	QRE121J-183Y	C R	18kΩ 1/2W J	
R1134	NRSA63J-182X	MG R	1.8kΩ 1/16W J		R1595	NRSA63J-222X	MG R	2.2kΩ 1/16W J	
R1135	NRSA63J-561X	MG R	560Ω 1/16W J		R1621-22	NRSA63J-101X	MG R	100Ω 1/16W J	
R1136	NRSA63J-472X	MG R	4.7kΩ 1/16W J		R1626	NRSA63J-472X	MG R	4.7kΩ 1/16W J	
R1137	NRSA63J-103X	MG R	10kΩ 1/16W J		R1627	NRSA63J-224X	MG R	220kΩ 1/16W J	
R1138	NRSA63J-561X	MG R	560Ω 1/16W J		R1628	NRSA63J-104X	MG R	100kΩ 1/16W J	
R1139	NRSA63J-222X	MG R	2.2kΩ 1/16W J		R1629	NRSA63J-153X	MG R	15kΩ 1/16W J	
R1140	NRSA63J-152X	MG R	1.5kΩ 1/16W J		R1630	NRSA63J-273X	MG R	27kΩ 1/16W J	
R1141	NRSA63J-182X	MG R	1.8kΩ 1/16W J		R1631	NRSA63J-473X	MG R	47kΩ 1/16W J	
R1142	NRSA63J-561X	MG R	560Ω 1/16W J		R1632-33	NRSA63J-103X	MG R	10kΩ 1/16W J	
R1143	NRSA63J-471X	MG R	470Ω 1/16W J		R1651	NRSA63J-102X	MG R	1kΩ 1/16W J	
R1144	NRSA63J-220X	MG R	22Ω 1/16W J		R1652	QRE141J-822Y	C R	8.2kΩ 1/4W J	
R1145	NRSA63J-821X	MG R	820Ω 1/16W J		R1653	QRE141J-182Y	C R	1.8kΩ 1/4W J	
R1146	NRSA63J-103X	MG R	10kΩ 1/16W J		R1655	NRSA63J-102X	MG R	1kΩ 1/16W J	
R1147	NRSA63J-101X	MG R	100Ω 1/16W J		R1656	QRE141J-822Y	C R	8.2kΩ 1/4W J	
R1148	NRSA63J-332X	MG R	3.3kΩ 1/16W J		R1657	QRE141J-182Y	C R	1.8kΩ 1/4W J	
R1149	QRE141J-222Y	C R	2.2kΩ 1/4W J		R1658-59	QRE121J-2R2Y	C R	2.2Ω 1/2W J	
R1301-02	NRSA63J-222X	MG R	2.2kΩ 1/16W J		R1660	NRSA63J-0R0X	MG R	0.0Ω 1/16W J	
R1303	NRSA63J-562X	MG R	5.6kΩ 1/16W J		R1661	NRSA63J-102X	MG R	1kΩ 1/16W J	
R1304-05	NRSA63J-222X	MG R	2.2kΩ 1/16W J		R1667	NRSA63J-273X	MG R	27kΩ 1/16W J	
R1306	NRSA63J-562X	MG R	5.6kΩ 1/16W J		R1668	NRSA63J-683X	MG R	68kΩ 1/16W J	
R1307	NRSA63J-103X	MG R	10kΩ 1/16W J		R1669	NRSA63J-563X	MG R	56kΩ 1/16W J	
R1308	NRSA63J-101X	MG R	100Ω 1/16W J		R1670-71	NRSA63J-272X	MG R	2.7kΩ 1/16W J	
R1309	NRSA63J-104X	MG R	100kΩ 1/16W J		R1672	NRSA63J-563X	MG R	56kΩ 1/16W J	
R1310	NRSA63J-473X	MG R	47kΩ 1/16W J		R1673-74	NRSA63J-683X	MG R	68kΩ 1/16W J	
R1311	NRSA63J-123X	MG R	12kΩ 1/16W J		R1675	NRSA63J-273X	MG R	27kΩ 1/16W J	
R1401	NRSA63J-224X	MG R	220kΩ 1/16W J		R1676-77	NRSA63J-472X	MG R	4.7kΩ 1/16W J	
R1403	NRSA63J-0R0X	MG R	0.0Ω 1/16W J		R1678-79	NRSA63J-272X	MG R	2.7kΩ 1/16W J	
R1405	NRSA63J-682X	MG R	6.8kΩ 1/16W J		R1680	NRSA63J-683X	MG R	68kΩ 1/16W J	
R1406	NRSA63J-472X	MG R	4.7kΩ 1/16W J		R1688	NRSA63J-273X	MG R	27kΩ 1/16W J	
R1408	NRSA63J-682X	MG R	6.8kΩ 1/16W J		R1690	NRSA63J-104X	MG R	100kΩ 1/16W J	
R1410	NRSA63J-472X	MG R	4.7kΩ 1/16W J		R1692	NRSA63J-104X	MG R	100kΩ 1/16W J	
R1411	QRG01GJ-221	OM R	220Ω 1W J		R1693	NRSA63J-103X	MG R	10kΩ 1/16W J	
R1412	QRE121J-1R0Y	C R	1.0Ω 1/2W J		R1696	NRSA63J-222X	MG R	2.2kΩ 1/16W J	
R1413	QRX01GJ-1R2	MF R	1.2Ω 1W J		R1701	NRSA63J-103X	MG R	10kΩ 1/16W J	
R1414	QRE121J-2R7Y	C R	2.7Ω 1/2W J		R1702-03	NRSA63J-101X	MG R	100Ω 1/16W J	
R1425	NRSA63J-683X	MG R	68kΩ 1/16W J		R1704-05	NRSA63J-102X	MG R	1kΩ 1/16W J	
R1478-79	NRSA63J-101X	MG R	100Ω 1/16W J		R1706	NRSA63J-682X	MG R	6.8kΩ 1/16W J	
R1480	QRE121J-681Y	C R	680Ω 1/2W J		R1707-10	NRSA63J-472X	MG R	4.7kΩ 1/16W J	
R1481	NRSA63J-223X	MG R	22kΩ 1/16W J		R1711-14	NRSA63J-101X	MG R	100Ω 1/16W J	
R1482	NRSA63J-562X	MG R	5.6kΩ 1/16W J		R1715-17	NRSA63J-103X	MG R	10kΩ 1/16W J	
R1483	NRSA63J-823X	MG R	82kΩ 1/16W J		R1718-19	NRSA63J-221X	MG R	220Ω 1/16W J	
R1484	NRSA63J-562X	MG R	5.6kΩ 1/16W J		R1720	NRSA63J-102X	MG R	1kΩ 1/16W J	
R1485	NRSA63J-123X	MG R	12kΩ 1/16W J		R1721-24	NRSA63J-221X	MG R	220Ω 1/16W J	
R1486	NRSA63J-272X	MG R	2.7kΩ 1/16W J		R1725	NRSA63J-103X	MG R	10kΩ 1/16W J	
R1487	NRSA63J-333X	MG R	33kΩ 1/16W J		R1726	NRSA63J-472X	MG R	4.7kΩ 1/16W J	
R1489	NRSA63J-122X	MG R	1.2kΩ 1/16W J		R1727	NRSA63J-104X	MG R	100kΩ 1/16W J	
R1490	NRSA63J-102X	MG R	1kΩ 1/16W J		R1728	NRSA63J-103X	MG R	10kΩ 1/16W J	
R1491	NRSA63J-562X	MG R	5.6kΩ 1/16W J		R1730	NRSA63J-223X	MG R	22kΩ 1/16W J	

△ Symbol No.	Part No.	Part Name	Description	Local	△ Symbol No.	Part No.	Part Name	Description	Local
RESISTOR					RESISTOR				
R1731	NRSA63J-101X	MG R	100Ω 1/16W J		R1953	QRE121J-102Y	C R	1kΩ 1/2W J	
R1732	NRSA02F-393X	MF R	39kΩ 1/10W F		R1955	QRG01GJ-470	OM R	47Ω 1W J	
R1733	NRSA63J-273X	MG R	27kΩ 1/16W J		R1956	QRE121J-220Y	C R	22Ω 1/2W J	
R1734	NRSA63J-391X	MG R	390Ω 1/16W J		R1957	QRE121J-5R6Y	C R	5.6Ω 1/2W J	
R1735	NRSA63J-104X	MG R	100kΩ 1/16W J		R1958	QRL039J-820	OM R	82Ω 3W J	
R1736	NRSA63J-333X	MG R	33kΩ 1/16W J		R1959	QRE121J-820Y	C R	82Ω 1/2W J	
R1737	NRSA63J-272X	MG R	2.7kΩ 1/16W J		R1960	NRSA63J-391X	MG R	390Ω 1/16W J	
R1738	NRSA63J-103X	MG R	10kΩ 1/16W J		R1961	QRL02EJ-223X	OM R	22kΩ 2W J	
R1739-41	NRSA63J-101X	MG R	100Ω 1/16W J		R1963	QRE121J-332Y	C R	3.3kΩ 1/2W J	
R1742	NRSA63J-0R0X	MG R	0.0Ω 1/16W J		R1964	NRSA63J-103X	MG R	10kΩ 1/16W J	
R1744	NRSA63J-561X	MG R	560Ω 1/16W J		R1965	NRSA63J-0R0X	MG R	0.0Ω 1/16W J	
R1745	NRSA63J-105X	MG R	1MΩ 1/16W J		R1966	NRSA63J-682X	MG R	6.8kΩ 1/16W J	
R1746	NRSA63J-333X	MG R	33kΩ 1/16W J		R1967	NRSA63J-473X	MG R	47kΩ 1/16W J	
R1747	NRSA63J-103X	MG R	10kΩ 1/16W J		R1969	QRT02EJ-2R7X	MF R	2.7Ω 2W J	
R1748	QRE141J-394Y	C R	390kΩ 1/4W J		R1970	NRSA63J-153X	MG R	15kΩ 1/16W J	
R1749	QRE141J-334Y	C R	330kΩ 1/4W J		R1971	NRSA63J-183X	MG R	18kΩ 1/16W J	
R1755-56	NRSA63J-101X	MG R	100Ω 1/16W J		△ R1991	QRZ0057-825	C R	8.2MΩ 1W J	
R1757-58	NRSA63J-222X	MG R	2.2kΩ 1/16W J		CAPACITOR				
R1803	NRSA63J-333X	MG R	33kΩ 1/16W J		C1001	NCB31HK-103X	C CAP.	0.01μF 50V K	
R1804-07	NRSA63J-750X	MG R	75Ω 1/16W J		C1002	QETN1HM-106Z	E CAP.	10μF 50V M	
R1808	NRSA63J-823X	MG R	82kΩ 1/16W J		C1003	QFV71HJ-104Z	MF CAP.	0.1μF 50V J	
R1809	NRSA63J-391X	MG R	390Ω 1/16W J		C1004	QETN1CM-477Z	E CAP.	470μF 16V M	
R1810	NRSA63J-823X	MG R	82kΩ 1/16W J		C1005	NCB31HK-222X	C CAP.	2200pF 50V K	
R1811	NRSA63J-391X	MG R	390Ω 1/16W J		C1006	QETN1CM-336Z	E CAP.	33μF 16V M	
R1812	NRSA63J-104X	MG R	100kΩ 1/16W J		C1007	NCB31HK-103X	C CAP.	0.01μF 50V K	
R1813	NRSA63J-222X	MG R	2.2kΩ 1/16W J		C1101-05	NCB31HK-472X	C CAP.	4700pF 50V K	
R1815	NRSA63J-101X	MG R	100Ω 1/16W J		C1106-07	NCB31HK-103X	C CAP.	0.01μF 50V K	
R1818	NRSA63J-222X	MG R	2.2kΩ 1/16W J		C1109	QETN1HM-106Z	E CAP.	10μF 50V M	
R1820	NRSA63J-101X	MG R	100Ω 1/16W J		C1130-32	NCB31HK-103X	C CAP.	0.01μF 50V K	
R1821	NRSA63J-222X	MG R	2.2kΩ 1/16W J		C1133	QETN1CM-107Z	E CAP.	100μF 16V M	
R1823	NRSA63J-101X	MG R	100Ω 1/16W J		C1134	NCB31HK-103X	C CAP.	0.01μF 50V K	
R1824	NRSA63J-222X	MG R	2.2kΩ 1/16W J		C1135	QETN1EM-476Z	E CAP.	47μF 25V M	
R1826	NRSA63J-101X	MG R	100Ω 1/16W J		C1136-38	NCB31HK-103X	C CAP.	0.01μF 50V K	
R1830-31	NRSA63J-222X	MG R	2.2kΩ 1/16W J		C1140-42	NCB31HK-103X	C CAP.	0.01μF 50V K	
R1832	QRE141J-391Y	C R	390Ω 1/4W J		C1143	QETN1HM-106Z	E CAP.	10μF 50V M	
R1833	NRSA63J-331X	MG R	330Ω 1/16W J		C1144	NCB31HK-223X	C CAP.	0.022μF 50V K	
R1834-35	NRSA63J-562X	MG R	5.6kΩ 1/16W J		C1301-02	NCB31CK-104X	C CAP.	0.1μF 16V K	
R1836	NRSA63J-750X	MG R	75Ω 1/16W J		C1304-05	NCB31HK-103X	C CAP.	0.01μF 50V K	
R1837	NRSA63J-101X	MG R	100Ω 1/16W J		C1306	NCB31CK-104X	C CAP.	0.1μF 16V K	
R1838	QRK126J-121X	C R	120Ω 1/2W J		C1307	NDC31HJ-330X	C CAP.	33pF 50V J	
R1839-40	QRE121J-221Y	C R	220Ω 1/2W J		C1308	NCB31HK-103X	C CAP.	0.01μF 50V K	
R1841-42	NRSA63J-0R0X	MG R	0.0Ω 1/16W J		C1401	QETN1HM-105Z	E CAP.	1μF 50V M	
R1843	NRSA63J-821X	MG R	820Ω 1/16W J		C1402	QCB31HK-682Z	C CAP.	6800pF 50V K	
R1844	NRSA63J-222X	MG R	2.2kΩ 1/16W J		C1403	QEHR1VM-107Z	E CAP.	100μF 35V M	
R1845	NRSA63J-102X	MG R	1kΩ 1/16W J		C1411-12	NCF21HZ-334X	C CAP.	0.33μF 50V Z	
R1846	NRSA63J-222X	MG R	2.2kΩ 1/16W J		C1413	QFLC2AJ-563Z	M CAP.	0.056μF 100V J	
R1847	NRSA63J-103X	MG R	10kΩ 1/16W J		C1422	QEHR1VM-108Z	E CAP.	1000μF 35V M	
R1848	NRSA63J-221X	MG R	220Ω 1/16W J		C1471	QETN1HM-106Z	E CAP.	10μF 50V M	
R1849	NRSA63J-471X	MG R	470Ω 1/16W J		C1480	QETN1HM-106Z	E CAP.	10μF 50V M	
R1880	NRSA63J-202X	MG R	2kΩ 1/16W J		C1483	QEZO195-475Z	E CAP.	4.7μF 50V M	
R1881	NRSA63J-103X	MG R	10kΩ 1/16W J		C1485	QETN1HM-226Z	E CAP.	22μF 50V M	
R1882	NRSA63J-181X	MG R	180Ω 1/16W J		C1521	QETN1VM-476Z	E CAP.	47μF 35V M	
R1883	NRSA63J-471X	MG R	470Ω 1/16W J		C1522	QFLC1HJ-332Z	M CAP.	3300pF 50V J	
R1902	QRF154K-2R2	UNF R	2.2Ω 15W K		C1523	QFLC1HJ-223Z	M CAP.	0.022μF 50V J	
R1903	QRL039J-473	OM R	47kΩ 3W J		C1524	QFZ0196-382	MPP CAP.	3800pF 1.5kVH ±3%	
R1904	QRE121J-681Y	C R	680Ω 1/2W J		C1525	QFZ0200-143	MPP CAP.	0.014μF 1.5kVH ±3%	
R1905	QRM034J-R10	MP R	0.1Ω 3W J		C1526	QFP32JJ-223	PP CAP.	0.022μF 630V J	
R1908	NRSA63J-103X	MG R	10kΩ 1/16W J		C1527-28	QFZ0199-224	MPP CAP.	0.22μF 250V J	
R1909	QRE121J-274Y	C R	270kΩ 1/2W J		C1529	QENC2AM-225Z	BP E CAP.	2.2μF 100V M	
R1911	QRE121J-472Y	C R	4.7kΩ 1/2W J		C1530	QCB32HK-561Z	C CAP.	560pF 500V K	
R1912	QRE121J-222Y	C R	2.2kΩ 1/2W J		C1531	QEHR1EM-108Z	E CAP.	1000μF 25V M	
△ R1913	QRZ9017-4R7	F R	4.7Ω 1/4W J		C1532	QCB32HK-561Z	C CAP.	560pF 500V K	
R1914	QRL039J-473	OM R	47kΩ 3W J		C1533	QEHR1EM-108Z	E CAP.	1000μF 25V M	
R1915	QRE121J-394Y	C R	390kΩ 1/2W J		C1534	QCB32HK-561Z	C CAP.	560pF 500V K	
R1916	QRE121J-332Y	C R	3.3kΩ 1/2W J		C1536	QFLC1HJ-103Z	M CAP.	0.01μF 50V J	
R1917	NRSA63J-101X	MG R	100Ω 1/16W J		C1540	QFV71HJ-104Z	MF CAP.	0.1μF 50V J	
R1918	NRSA63J-224X	MG R	220kΩ 1/16W J		C1541	QETN2EM-106Z	E CAP.	10μF 250V M	
R1919	NRSA63J-104X	MG R	100kΩ 1/16W J		C1550	NCB31CK-104X	C CAP.	0.1μF 16V K	
R1920	NRSA63J-473X	MG R	47kΩ 1/16W J		C1561	QFV11HJ-683Z	TF CAP.	0.068μF 50V J	
R1921	QRE121J-563Y	C R	56kΩ 1/2W J		C1566	QFZ0200-113	MPP CAP.	0.011μF 1.5kVH ±3%	
R1951	QRE121J-223Y	C R	22kΩ 1/2W J						
R1952	NRSA63J-222X	MG R	2.2kΩ 1/16W J						

△	Symbol No.	Part No.	Part Name	Description	Local	△	Symbol No.	Part No.	Part Name	Description	Local
CAPACITOR						CAPACITOR					
	C1591	QETN1AM-107Z	E CAP.	100μF 10V M			C1814	QFLC1HJ-104Z	M CAP.	0.1μF 50V J	
	C1592	QETM2CM-227	E CAP.	220μF 160V M			C1815	NCF31AZ-105X	C CAP.	1μF 10V Z	
	C1593	QETN1EM-476Z	E CAP.	47μF 25V M			C1817	NCF31AZ-105X	C CAP.	1μF 10V Z	
	C1625	QETN1HM-106Z	E CAP.	10μF 50V M			C1819	QFLC1HJ-104Z	M CAP.	0.1μF 50V J	
	C1626	QETN1CM-107Z	E CAP.	100μF 16V M			C1820-21	NCF31AZ-105X	C CAP.	1μF 10V Z	
	C1629	QETN1HM-475Z	E CAP.	4.7μF 50V M			C1822	QETN1AM-477Z	E CAP.	470μF 10V M	
	C1630	NDC31HJ-471X	C CAP.	470pF 50V J			C1823-24	QETN1CM-107Z	E CAP.	100μF 16V M	
	C1631	NCB31EK-333X	C CAP.	0.033μF 25V K			C1825	NCB31HK-103X	C CAP.	0.01μF 50V K	
	C1634	QETN1HM-106Z	E CAP.	10μF 50V M			C1826	QFLC1HJ-104Z	M CAP.	0.1μF 50V J	
	C1636-37	QETN1HM-225Z	E CAP.	2.2μF 50V M			C1827	NCB31HK-103X	C CAP.	0.01μF 50V K	
	C1638	NCB31EK-333X	C CAP.	0.033μF 25V K			C1829-31	NCB31HK-103X	C CAP.	0.01μF 50V K	
	C1639	NDC31HJ-471X	C CAP.	470pF 50V J			C1834	NDC31HJ-181X	C CAP.	180pF 50V J	
	C1640	QETN1HM-475Z	E CAP.	4.7μF 50V M		△	C1902	QFZ9073-104	MF CAP.	0.1μF	
	C1641	QETN1CM-107Z	E CAP.	100μF 16V M			C1903-05	QCZ9015-102Z	C CAP.	1000pF 250V Z	
	C1642	NCB31CK-104X	C CAP.	0.1μF 16V K			C1907	QEZ0371-337	E CAP.	330μF 400V M	
	C1643	NCB31HK-562X	C CAP.	5600pF 50V K			C1909	QCZ0325-821	C CAP.	820pF 2000V K	
	C1644	QETN1HM-475Z	E CAP.	4.7μF 50V M			C1910	NDC31HJ-471X	C CAP.	470pF 50V J	
	C1645-46	QETN1HM-106Z	E CAP.	10μF 50V M			C1911	QETN1HM-476Z	E CAP.	47μF 50V M	
	C1647	NCB31EK-393X	C CAP.	0.039μF 25V K			C1916	QETN1EM-476Z	E CAP.	47μF 25V M	
	C1648	NCB31HK-223X	C CAP.	0.022μF 50V K			C1917	QCB32HK-181Z	C CAP.	180pF 500V K	
	C1650	QEHR1HM-105Z	E CAP.	1μF 50V M			C1918	QCB32HK-103	C CAP.	0.01μF 500V K	
	C1651	QEHR1HM-107	E CAP.	100μF 50V M			C1919	QCZ0325-391	C CAP.	390pF 2000V K	
	C1652	QEHR1HM-105Z	E CAP.	1μF 50V M			C1952	QCB32HK-471Z	C CAP.	470pF 500V K	
	C1653-54	QFLC1HJ-223Z	M CAP.	0.022μF 50V J			C1953	QEHR1HM-228	E CAP.	2200μF 50V M	
	C1657-58	QETN1HM-107Z	E CAP.	100μF 50V M			C1955	QCB32HK-471Z	C CAP.	470pF 500V K	
	C1659-61	NCF21HZ-224X	C CAP.	0.22μF 50V Z			C1956	QETN1VM-107Z	E CAP.	100μF 35V M	
	C1663	NCF21HZ-224X	C CAP.	0.22μF 50V Z			C1957	QCB31HK-471Z	C CAP.	470pF 50V K	
	C1665	NCB31CK-104X	C CAP.	0.1μF 16V K			C1958	QEHR1CM-108Z	E CAP.	1000μF 16V M	
	C1668-69	NCB31CK-104X	C CAP.	0.1μF 16V K			C1959	QCZ0364-561	C CAP.	560pF	
	C1670	NCB31EK-473X	C CAP.	0.047μF 25V K			C1960	QEZ0203-227	E CAP.	220μF 160V M	
	C1671	QETN1CM-476Z	E CAP.	47μF 16V M			C1962	QETN1HM-106Z	E CAP.	10μF 50V M	
	C1672	NCB31HK-183X	C CAP.	0.018μF 50V K			C1963	QETN1CM-477Z	E CAP.	470μF 16V M	
	C1673	QETN1CM-336Z	E CAP.	33μF 16V M			C1964	QETN1CM-476Z	E CAP.	47μF 16V M	
	C1674	NCB31CK-104X	C CAP.	0.1μF 16V K			C1965	QETN1VM-476Z	E CAP.	47μF 35V M	
	C1675	NCB31HK-183X	C CAP.	0.018μF 50V K			C1966	QETN1CM-107Z	E CAP.	100μF 16V M	
	C1676	NCB31EK-473X	C CAP.	0.047μF 25V K			C1968	NCB31CK-104X	C CAP.	0.1μF 16V K	
	C1681-83	QETN1CM-227Z	E CAP.	220μF 16V M			C1972	QETN1HM-476Z	E CAP.	47μF 50V M	
	C1684	QETN1HM-475Z	E CAP.	4.7μF 50V M			C1974	NCB31CK-104X	C CAP.	0.1μF 16V K	
	C1685-86	QETN1HM-105Z	E CAP.	1μF 50V M			C1975	QETN1CM-227Z	E CAP.	220μF 16V M	
	C1702	QETN1HM-106Z	E CAP.	10μF 50V M			C1977	QETN1EM-476Z	E CAP.	47μF 25V M	
	C1703-04	NDC31HJ-220X	C CAP.	22pF 50V J			C1978	NCB21HK-104X	C CAP.	0.1μF 50V K	
	C1706	NCB21EK-224X	C CAP.	0.22μF 25V K			C1980	QETN1CM-107Z	E CAP.	100μF 16V M	
	C1707	QETN1CM-107Z	E CAP.	100μF 16V M			C1981	NCB31HK-102X	C CAP.	1000pF 50V K	
	C1709	QETNOJM-477Z	E CAP.	470μF 6.3V M			C1982	QETN1CM-476Z	E CAP.	47μF 16V M	
	C1710	QFV21HJ-224Z	MF CAP.	0.22μF 50V J			C1983	QETN1CM-107Z	E CAP.	100μF 16V M	
	C1711	NCB31CK-104X	C CAP.	0.1μF 16V K		△	C1991	QCZ9079-102	C CAP.	1000pF 250V M	
	C1712	QETN1CM-476Z	E CAP.	47μF 16V M		△	C1992-93	QCZ9079-471	C CAP.	470pF 250V K	
	C1713	QFV11HJ-104Z	TF CAP.	0.1μF 50V J		TRANSFORMER					
	C1720	QETN1HM-476Z	E CAP.	47μF 50V M			T1521	QQR1229-001	DRIVE TRANSF.		
	C1725	NCB31HK-681X	C CAP.	680pF 50V K		△	T1551	QQH0096-001	FLYBACK TRANSF.		
	C1730-31	NCB21EK-224X	C CAP.	0.22μF 25V K			T1561	QQR1153-001	DEF.TRANSF.		
	C1732	QETN1CM-107Z	E CAP.	100μF 16V M		△	T1901	QQS0110-001	SWICH.TRANSF.		
	C1733	NCB31CK-104X	C CAP.	0.1μF 16V K		COIL					
	C1734-35	NCB31HK-222X	C CAP.	2200pF 50V K		L1001-02	QQL244K-8R2Z	COIL	8.2μH	K	
	C1736-37	QETN1HM-105Z	E CAP.	1μF 50V M		L1101-02	QQL244K-5R6Z	COIL	5.6μH	K	
	C1738	NCB31CK-104X	C CAP.	0.1μF 16V K		L1103	QQL244K-100Z	COIL	10μH	K	
	C1739	NFV41CJ-104X	MPP CAP.	0.1μF 16V J		L1104	QQL244K-180Z	COIL	18μH	K	
	C1740	QETN1HM-225Z	E CAP.	2.2μF 50V M		L1301	QQL244K-221Z	COIL	220μH	K	
	C1741-42	NCB31CK-104X	C CAP.	0.1μF 16V K		L1401	QQL26AK-220Z	COIL	22μH	K	
	C1743	QETN1AM-108Z	E CAP.	1000μF 10V M		L1480	QQR1138-001	CHOKO COIL			
	C1744	NCB31HK-222X	C CAP.	2200pF 50V K		L1523	QQR1243-001	LINEARITY COIL			
	C1745-47	NCB31EK-473X	C CAP.	0.047μF 25V K		L1541	QQL244K-220Z	COIL	22μH	K	
	C1749	QETN1HM-106Z	E CAP.	10μF 50V M		L1561	QQLZ028-272	CHOKO COIL			
	C1751-53	NCB21HK-104X	C CAP.	0.1μF 50V K		L1701-02	QQL244K-100Z	COIL	10μH	K	
	C1801-02	NCB31CK-104X	C CAP.	0.1μF 16V K		L1731	QRN143J-0R0X	C R	0.0Ω	1/4W J	
	C1803-04	QETN1HM-106Z	E CAP.	10μF 50V M		L1951	QQLZ034-460	CHOKO COIL			
	C1805	QFLC1HJ-104Z	M CAP.	0.1μF 50V J		L1953	QQL244J-5R6Z	COIL	5.6μH	J	
	C1807-08	NCF31AZ-105X	C CAP.	1μF 10V Z		L1954	QQL26AK-820Z	COIL	82μH	K	
	C1810	NCF31AZ-105X	C CAP.	1μF 10V Z							
	C1811	QFLC1HJ-104Z	M CAP.	0.1μF 50V J							
	C1812	NCF31AZ-105X	C CAP.	1μF 10V Z							
	C1813	NCB31HK-103X	C CAP.	0.01μF 50V K							

△ Symbol No.	Part No.	Part Name	Description	Local
DIODE				
D1101	DAN235K-X	SI.DIODE		
D1401	RGP10J-5025-T3	SI.DIODE		
D1402	MTZJ75-T2	ZENER DIODE		
D1405	1N4003-T2	SI.DIODE		
D1408	MA111-X	SI.DIODE		
D1480	MTZJ4.3A-T2	ZENER DIODE		
D1521	RH3G-F1	SI.DIODE		
D1522	31DF6N-FC5	DIODE		
D1523	RGP10J-5025-T3	SI.DIODE		
D1541	RGP10J-5025-T3	SI.DIODE		
D1550	MA111-X	SI.DIODE		
D1551	EU2-T3	SI.DIODE		
D1553	RGP10J-5025-T3	SI.DIODE		
D1554	RGP10J-5025-T3	SI.DIODE		
D1592	MA3075/H-X	ZENER DIODE		
D1652-53	MA3330/L-X	ZENER DIODE		
D1682	MA111-X	SI.DIODE		
D1683	NRSA63J-OR0X	MG R	0.0Ω 1/16W J	
D1702	MA3020-X	ZENER DIODE		
D1730-33	MA111-X	SI.DIODE		
D1801-02	MA3120/M-X	ZENER DIODE		
D1901	GSIB460	DIODE		
D1902	MTZJ33B-T2	ZENER DIODE		
D1903	1SS133-T2	SI.DIODE		
D1906	MTZJ27B-T2	ZENER DIODE		
D1907	MTZJ33B-T2	ZENER DIODE		
D1908	MA3200/M-X	ZENER DIODE		
D1909	MA111-X	SI.DIODE		
D1910	MA3075/H-X	ZENER DIODE		
D1911	RGP10J-5025-T3	SI.DIODE		
D1912	RGP10J-5025-T3	SI.DIODE		
D1913	RGP10M-5010-T3	SI.DIODE		
D1914	1SS133-T2	SI.DIODE		
D1915	MA3068/M-X	ZENER DIODE		
D1916	MTZJ15B-T2	ZENER DIODE		
D1950	RGP10J-5025-T3	SI.DIODE		
D1952	FSF05A20	SI.DIODE		
D1953	RGP10J-5025-T3	SI.DIODE		
D1954	RU30A-F1	SI.DIODE		
D1955	1SR35-400A-T2	SI.DIODE		
D1956	31DF6N-FC5	DIODE		
D1958	MTZJ5.1A-T2	ZENER DIODE		
D1960	MA111-X	SI.DIODE		
D1964	MA3330/L-X	ZENER DIODE		
D1966	MA3039/H-X	ZENER DIODE		
D1968-69	MA111-X	SI.DIODE		
D1970	MTZJ9.1B-T2	ZENER DIODE		
D1971	MA111-X	SI.DIODE		

TRANSISTOR

Q1101	2SC5083/L-P/T	SI.TRANSISTOR		
Q1102	DTC124EKA-X	DIGI.TRANSISTOR		
Q1104	2SA1037AK/QR/-X	SI.TRANSISTOR		
Q1105-06	DTC124EKA-X	DIGI.TRANSISTOR		
Q1107	2SA1037AK/QR/-X	SI.TRANSISTOR		
Q1108	2SC2412K/QR/-X	SI.TRANSISTOR		
Q1109	2SA1037AK/QR/-X	SI.TRANSISTOR		
Q1110	DTC124EKA-X	DIGI.TRANSISTOR		
Q1111	2SC2412K/QR/-X	SI.TRANSISTOR		
Q1130	2SA1037AK/QR/-X	SI.TRANSISTOR		
Q1131	DTC124EKA-X	DIGI.TRANSISTOR		
Q1132	2SC2412K/QR/-X	SI.TRANSISTOR		
Q1133	2SA1037AK/QR/-X	SI.TRANSISTOR		
Q1134-35	DTC124EKA-X	DIGI.TRANSISTOR		
Q1136-37	2SC2412K/QR/-X	SI.TRANSISTOR		
Q1301-02	2SA1037AK/QR/-X	SI.TRANSISTOR		
Q1303	DTC124EKA-X	DIGI.TRANSISTOR		
Q1304	2SC2412K/QR/-X	SI.TRANSISTOR		
Q1480	2SD1408/OY/-LB	SI.TRANSISTOR		
Q1521	2SC2655/Y/-T	SI.TRANSISTOR		
Q1522	2SD2634-YD	SI.TRANSISTOR		
Q1591	2SA1208/ST/Z1-T	SI.TRANSISTOR		

△ Symbol No.	Part No.	Part Name	Description	Local
TRANSISTOR				
Q1592	DTC124EKA-X	DIGI.TRANSISTOR		
Q1683-84	2SA1037AK/QR/-X	SI.TRANSISTOR		
Q1685-86	DTC323TK-X	DIGI.TRANSISTOR		
Q1687	2SC2412K/QR/-X	SI.TRANSISTOR		
Q1701-02	2SA1037AK/QR/-X	SI.TRANSISTOR		
Q1703	2SC2412K/QR/-X	SI.TRANSISTOR		
Q1720	2SA1037AK/QR/-X	SI.TRANSISTOR		
Q1801-02	DTC323TK-X	DIGI.TRANSISTOR		
Q1803	2SA1037AK/QR/-X	SI.TRANSISTOR		
Q1804	2SC1740S/QR/-T	SI.TRANSISTOR		
Q1833	QETN1HM-226Z	E CAP.	22μF 50V M	
Q1860	2SC2412K/QR/-X	SI.TRANSISTOR		
Q1861-62	2SA1037AK/QR/-X	SI.TRANSISTOR		
Q1901	2SC3852A	SI.TRANSISTOR		
Q1902-03	2SA1037AK/QR/-X	SI.TRANSISTOR		
Q1951	2SA1013/RO/-T	SI.TRANSISTOR		
Q1952-54	2SC2412K/QR/-X	SI.TRANSISTOR		

IC

IC1130	M52342SP	I.C(MONO-ANA)		
IC1301	TDA9181T/N1-X	I.C(MONO-ANA)		
IC1401	LA78041	I.C(MONO-ANA)		
IC1461	JLC1562BF-X	I.C(DIGI-MOS)		
IC1480	UPC358G2-XE	I.C(MONO-ANA)		
IC1602	BH3865S	I.C		
IC1650	AN5275	I.C(MONO-ANA)		
IC1665	BA4558F-X	I.C(MONO-ANA)		
IC1701	TDA9386PS/N1	I.C		
IC1702	AT24C08-29LXB	I.C(MEMORY-OTH)	(SERVICE)	
IC1801	MM1492AF	I.C(MONO-ANA)		
IC1901	STR-F6456S/F7	I.C(HYBRID)		
IC1951	SE135N	I.C(HYBRID)		
IC1972	L88M33T-X	I.C(MONO-ANA)		
IC1973	BA17812T	I.C(MONO-ANA)		
IC1974	BA51W12ST-V5	I.C(MONO-ANA)		

OTHERS

	CEMS007-008	I.C.SOCKET		
	QXT620H-015	VINYL TUBE		
CF1103	TPSH6.0MB	CERAMIC FILTER		
CF1104	TPS5.5MW	CERAMIC FILTER		
CF1105	TPS6.5MB	CERAMIC FILTER		
CF1106	QAX0639-001Z	CERAMIC FILTER		
CF1130	QAX0642-001Z	CERAMIC FILTER		
CF1140	QAX0336-001	CERAMIC FILTER		
CF1141	QAX0337-001	CERAMIC FILTER		
CF1142	QAX0338-001	CERAMIC FILTER		
△ CP1650	ICP-N50-Y	I.C.PROTECT		
△ CP1951	ICP-N75-Y	I.C.PROTECT		
△ CP1953	ICP-N38-Y	I.C.PROTECT		
J1801	QNN0349-001	PIN JACK		
J1802	QNN0349-002	PIN JACK		
J1803	QNN0348-001	PIN JACK		
J1804	QNN0349-001	PIN JACK		
K1301	CE41433-001Z	BEADS CORE		
K1903	QQR1214-001Y	FERRITE BEADS		
K1904	CE42050-001Z	CORE		
K1952-55	QQR1214-001Y	FERRITE BEADS		
△ LF1901	QQR1035-002	LINE FILTER		
△ PC1901	PC123F2	I.C(PH.COUPLER)		
△ RY1901	QSK0061-001	RELAY		
SF1101	QAX0325-001	SAW FILTER		
SF1102	QAX0594-001	SAW FILTER		
TH1901	QAD0134-4R5	P.THERMISTOR		
TU1001	QAU0185-003	TUNER		
W1010	NRSA63J-OR0X	MG R	0.0Ω 1/16W J	
W1067	QQR1214-001Y	FERRITE BEADS		
W1071	NRSA63J-OR0X	MG R	0.0Ω 1/16W J	
W1239	NRSA63J-OR0X	MG R	0.0Ω 1/16W J	
W1257	NRSA63J-OR0X	MG R	0.0Ω 1/16W J	
W1260	NRSA63J-OR0X	MG R	0.0Ω 1/16W J	

△ Symbol No.	Part No.	Part Name	Description	Local
OTHERS				
W1273	NRSA63J-0R0X	MG R	0.0Ω 1/16W J	
W1304	QRE121J-221Y	C R	220Ω 1/2W J	
W1306-07	NRSA63J-0R0X	MG R	0.0Ω 1/16W J	
W1309	NRSA63J-0R0X	MG R	0.0Ω 1/16W J	
W1310	QRE121J-221Y	C R	220Ω 1/2W J	
W1321-22	NRSA63J-0R0X	MG R	0.0Ω 1/16W J	
W1325-26	NRSA63J-0R0X	MG R	0.0Ω 1/16W J	
W1330	NRSA63J-0R0X	MG R	0.0Ω 1/16W J	
W1333	NRSA63J-0R0X	MG R	0.0Ω 1/16W J	
W1339-40	NRSA63J-0R0X	MG R	0.0Ω 1/16W J	
W1347	NRSA63J-0R0X	MG R	0.0Ω 1/16W J	
W1355	NRSA63J-0R0X	MG R	0.0Ω 1/16W J	
W1366	NRSA63J-0R0X	MG R	0.0Ω 1/16W J	
W1379	NRSA63J-0R0X	MG R	0.0Ω 1/16W J	
W1386	NRSA63J-0R0X	MG R	0.0Ω 1/16W J	
W1395	NRSA63J-0R0X	MG R	0.0Ω 1/16W J	
W1397	NRSA63J-0R0X	MG R	0.0Ω 1/16W J	
W1402-03	NRSA63J-0R0X	MG R	0.0Ω 1/16W J	
W1408	NRSA63J-0R0X	MG R	0.0Ω 1/16W J	
W1418	NRSA63J-0R0X	MG R	0.0Ω 1/16W J	
W1423	NRSA63J-0R0X	MG R	0.0Ω 1/16W J	
W1426-27	QRE141J-0R0Y	C R	0.0Ω 1/4W J	
X1701	QAX0688-001	CRYSTAL		
Y1001-02	NRSA63J-0R0X	MG R	0.0Ω 1/16W J	
Y1130	NRSA63J-0R0X	MG R	0.0Ω 1/16W J	
Y1601-02	NRSA63J-0R0X	MG R	0.0Ω 1/16W J	

CRT SOCKET PW BOARD ASS'Y (SCH-3001A-H2)

△ Symbol No.	Part No.	Part Name	Description	Local
RESISTOR				
R3101	NRSA63J-682X	MG R	6.8kΩ 1/16W J	
R3102	NRSA63J-102X	MG R	1kΩ 1/16W J	
R3103	NRSA63J-153X	MG R	15kΩ 1/16W J	
R3104	NRSA63J-682X	MG R	6.8kΩ 1/16W J	
R3105	NRSA63J-102X	MG R	1kΩ 1/16W J	
R3106	NRSA63J-272X	MG R	2.7kΩ 1/16W J	
R3107	NRSA63J-682X	MG R	6.8kΩ 1/16W J	
R3108	NRSA63J-102X	MG R	1kΩ 1/16W J	
R3109	NRSA63J-562X	MG R	5.6kΩ 1/16W J	
R3125	NRSA63J-222X	MG R	2.2kΩ 1/16W J	
R3126	QRE121J-393Y	C R	39kΩ 1/2W J	
R3128	QRE141J-473Y	C R	47kΩ 1/4W J	
R3129	QRE141J-223Y	C R	22kΩ 1/4W J	
R3142	NRSA63J-101X	MG R	100Ω 1/16W J	
R3150	QRZ0107-152Z	C R	1.5kΩ 1/2W K	
R3152	NRSA63J-101X	MG R	100Ω 1/16W J	
R3160	NRSA63J-101X	MG R	100Ω 1/16W J	
R3166	QRZ0107-152Z	C R	1.5kΩ 1/2W K	
R3170	QRZ0107-474Z	C R	470kΩ 1/2W K	
R3171	QRZ0107-152Z	C R	1.5kΩ 1/2W K	
R3172	NRSA63J-101X	MG R	100Ω 1/16W J	
△ R3175	QRZ9021-1R5	F R	1.5Ω 1W J	
R3176	QRE121J-123Y	C R	12kΩ 1/2W J	
R3211	NRSA63J-0R0X	MG R	0.0Ω 1/16W J	
R3212	NRSA63J-153X	MG R	15kΩ 1/16W J	
R3213	NRSA63J-222X	MG R	2.2kΩ 1/16W J	
R3214	NRSA63J-152X	MG R	1.5kΩ 1/16W J	
R3215	NRSA63J-680X	MG R	68Ω 1/16W J	
R3216	NRSA63J-221X	MG R	220Ω 1/16W J	
△ R3217	QRJ146J-100X	C R	10Ω 1/4W J	
R3221-22	NRSA63J-470X	MG R	47Ω 1/16W J	
R3224	NRSA63J-122X	MG R	1.2kΩ 1/16W J	

△ Symbol No.	Part No.	Part Name	Description	Local
RESISTOR				
R3225-26	QRE121J-563Y	C R	56kΩ 1/2W J	
R3227	NRSA63J-122X	MG R	1.2kΩ 1/16W J	
R3228	NRSA63J-390X	MG R	39Ω 1/16W J	
R3229-30	QRE121J-2R7Y	C R	2.7Ω 1/2W J	
R3231	NRSA63J-390X	MG R	39Ω 1/16W J	
R3232	QRE121J-121Y	C R	120Ω 1/2W J	
R3233	QRL029J-391	OM R	390Ω 2W J	
R3251	NRSA63J-822X	MG R	8.2kΩ 1/16W J	
R3252	NRSA63J-222X	MG R	2.2kΩ 1/16W J	
R3253	NRSA63J-101X	MG R	100Ω 1/16W J	
R3254	NRSA63J-563X	MG R	56kΩ 1/16W J	
R3255	NRSA63J-223X	MG R	22kΩ 1/16W J	
R3256	NRSA63J-681X	MG R	680Ω 1/16W J	
R3257	NRSA63J-102X	MG R	1kΩ 1/16W J	
R3258	NRSA63J-182X	MG R	1.8kΩ 1/16W J	
R3259	NRSA63J-102X	MG R	1kΩ 1/16W J	
R3260	NRSA63J-271X	MG R	270Ω 1/16W J	
R3261-63	NRSA63J-101X	MG R	100Ω 1/16W J	
R3264	NRSA63J-222X	MG R	2.2kΩ 1/16W J	
R3265	NRSA63J-102X	MG R	1kΩ 1/16W J	
R3266	NRSA63J-103X	MG R	10kΩ 1/16W J	
R3267	NRSA63J-102X	MG R	1kΩ 1/16W J	
R3268	NRSA63J-222X	MG R	2.2kΩ 1/16W J	
R3269	NRSA63J-102X	MG R	1kΩ 1/16W J	
R3270	NRSA63J-103X	MG R	10kΩ 1/16W J	
R3271	NRSA63J-102X	MG R	1kΩ 1/16W J	
R3272	NRSA63J-222X	MG R	2.2kΩ 1/16W J	
R3273	NRSA63J-102X	MG R	1kΩ 1/16W J	
R3274	NRSA63J-103X	MG R	10kΩ 1/16W J	
R3275	NRSA63J-102X	MG R	1kΩ 1/16W J	

CAPACITOR

C3101	QETN1CM-477Z	E CAP.	470μF 16V M
C3102	QETN2EM-475Z	E CAP.	4.7μF 250V M
C3107	QETM2EM-336	E CAP.	33μF 250V M
C3109	QCZ0131-472	C CAP.	4700pF 2000V K
C3110	QCZ0131-222	C CAP.	2200pF 2000V K
C3121	QETN1HM-225Z	E CAP.	2.2μF 50V M
C3123	QFK62EK-104Z	MM CAP.	0.1μF 250V K
C3204	NDC31HJ-561X	C CAP.	560pF 50V J
C3205	QETN1HM-335Z	E CAP.	3.3μF 50V M
C3206	QETN1HM-106Z	E CAP.	10μF 50V M
C3209	QETN1CM-107Z	E CAP.	100μF 16V M
C3211	NDC31HJ-391X	C CAP.	390pF 50V J
C3212	QCB32HK-472Z	C CAP.	4700pF 500V K
C3213	NDC31HJ-561X	C CAP.	560pF 50V J
C3214	QETN2CM-106Z	E CAP.	10μF 160V M
C3215	QCB32HK-472Z	C CAP.	4700pF 500V K
C3216	QETN2CM-106Z	E CAP.	10μF 160V M
C3217-18	QETN1AM-107Z	E CAP.	100μF 10V M
C3219	QETN1AM-337Z	E CAP.	330μF 10V M
C3251	QENC1HM-105Z	BP E CAP.	1μF 50V M
C3252	NDC31HJ-151X	C CAP.	150pF 50V J
C3253	NDC31HJ-560X	C CAP.	56pF 50V J
C3255	NCB31HK-103X	C CAP.	0.01μF 50V K
C3264-66	QETN1AM-107Z	E CAP.	100μF 10V M

COIL

L3121	QQL244J-5R6Z	COIL	5.6μH J
L3251	QQL244K-150Z	COIL	15μH K

DIODE

D3108	MA3075/H/-X	ZENER DIODE
D3109	MA3051/H/-X	ZENER DIODE
D3110	MA111-X	SI.DIODE
D3111	MA3051/H/-X	ZENER DIODE
D3112	MA111-X	SI.DIODE
D3113	MA3051/H/-X	ZENER DIODE
D3114	MA111-X	SI.DIODE
D3115-17	EU01N-T2	SI.DIODE
D3121-23	1N4003-T2	SI.DIODE

△ Symbol No.	Part No.	Part Name	Description	Local
DIODE				
D3124	MA111-X	SI.DIODE		
D3125	MTZJ75-T2	ZENER DIODE		
D3201-02	NRSA63J-0R0X	MG R	0.0Ω 1/16W	J
D3203	RGP10J-5025-T3	SI.DIODE		
D3204	RGP10J-5025-T3	SI.DIODE		

TRANSISTOR				
Q3101-03	2SC2412K/QR/-X	SI.TRANSISTOR		
Q3121	2SC4212/Z1/	SI.TRANSISTOR		
Q3122	2SA1037AK/QR/-X	SI.TRANSISTOR		
Q3204-05	2SC1740S/QR/-T	SI.TRANSISTOR		
Q3206	2SA933AS/QR/-T	SI.TRANSISTOR		
Q3209	2SA1964/DE/	SI.TRANSISTOR		
Q3210	2SC5248/DE/	SI.TRANSISTOR		
Q3251	2SA1037AK/QR/-X	SI.TRANSISTOR		
Q3252	2SC2412K/QR/-X	SI.TRANSISTOR		
Q3253	2SA1037AK/QR/-X	SI.TRANSISTOR		
Q3261-63	2SA1037AK/QR/-X	SI.TRANSISTOR		
Q3264-66	2SC2412K/QR/-X	SI.TRANSISTOR		

IC				
IC3101	TDA6107Q/N2	I.C(MONO-ANA)		

OTHERS				
DL3261-63	CE41925-001	DELAY LINE		
△ FR3201	QRZ9021-561	F R	560Ω 1W	J
K3201-04	CE41492-001Z	CHOKE COIL		
SG3101-03	QAF0006-501	ARRESTER		
SG3104	QAF0041-272	ARRESTER		
△ SK3001	CE42670-001	C.R.T.SOCKET		

FRONT CONTROL PW BOARD ASS'Y (SCH-8001A-H2)

△ Symbol No.	Part No.	Part Name	Description	Local
RESISTOR				
R8482	NRSA63J-124X	MG R	120kΩ 1/16W	J
R8483	NRSA63J-683X	MG R	68kΩ 1/16W	J
R8484-85	NRSA63J-562X	MG R	5.6kΩ 1/16W	J
R8486	NRSA63J-333X	MG R	33kΩ 1/16W	J
R8487	NRSA63J-332X	MG R	3.3kΩ 1/16W	J
R8488	NRSA63J-154X	MG R	150kΩ 1/16W	J
R8489	NRSA63J-104X	MG R	100kΩ 1/16W	J
R8490	QQL01BK-820Z	COIL	82μH	K
R8491-92	NRSA63J-0R0X	MG R	0.0Ω 1/16W	J
R8495	NRSA63J-152X	MG R	1.5kΩ 1/16W	J
R8497	NRSA63J-562X	MG R	5.6kΩ 1/16W	J
R8499	QRE121J-561Y	C R	560Ω 1/2W	J
R8801	NRSA63J-332X	MG R	3.3kΩ 1/16W	J
R8802	NRSA63J-392X	MG R	3.9kΩ 1/16W	J
R8803	NRSA63J-682X	MG R	6.8kΩ 1/16W	J
R8805	NRSA63J-682X	MG R	6.8kΩ 1/16W	J
R8807	NRSA63J-181X	MG R	180Ω 1/16W	J
R8808	NRSA63J-221X	MG R	220Ω 1/16W	J
R8809	NRSA63J-331X	MG R	330Ω 1/16W	J
R8810	NRSA63J-471X	MG R	470Ω 1/16W	J
R8811	NRSA63J-821X	MG R	820Ω 1/16W	J
R8812	NRSA63J-122X	MG R	1.2kΩ 1/16W	J
R8813	NRSA63J-471X	MG R	470Ω 1/16W	J
R8814	NRSA63J-750X	MG R	75Ω 1/16W	J
R8815-16	QRE121J-271Y	C R	270Ω 1/2W	J
R8817-18	NRSA63J-102X	MG R	1kΩ 1/16W	J
R8819	NRSA63J-272X	MG R	2.7kΩ 1/16W	J
R8826	NRSA63J-0R0X	MG R	0.0Ω 1/16W	J
R8830-31	NRSA63J-222X	MG R	2.2kΩ 1/16W	J
△ R8901	QRZ0111-474	C R	470kΩ 1/2W	K

△ Symbol No.	Part No.	Part Name	Description	Local
CAPACITOR				
C8481-84	NCB21EK-224X	C CAP.	0.22μF 25V	K
C8485	QETN1EM-476Z	E CAP.	47μF 25V	M
C8487	QFLC1HJ-103Z	M CAP.	0.01μF 50V	J
C8660-61	QETM1VM-108	E CAP.	1000μF 35V	M
C8801	QETN1HM-106Z	E CAP.	10μF 50V	M
C8802	QETN1CM-107Z	E CAP.	100μF 16V	M
C8803	NCB31CK-104X	C CAP.	0.1μF 16V	K
C8815	QETN1CM-107Z	E CAP.	100μF 16V	M

△ C8901	QFZ9073-224	MF CAP.	0.22μF	
---------	-------------	---------	--------	--

DIODE				
D8601-02	MTZJ75-T2	ZENER DIODE		
D8801	MA111-X	SI.DIODE		
D8802	P1241-04	C.D.S.		
D8803	SLR-342VR-T16	L.E.D.		

TRANSISTOR				
Q8481	2SC2412K/QR/-X	SI.TRANSISTOR		
Q8801	2SA1037AK/QR/-X	SI.TRANSISTOR		

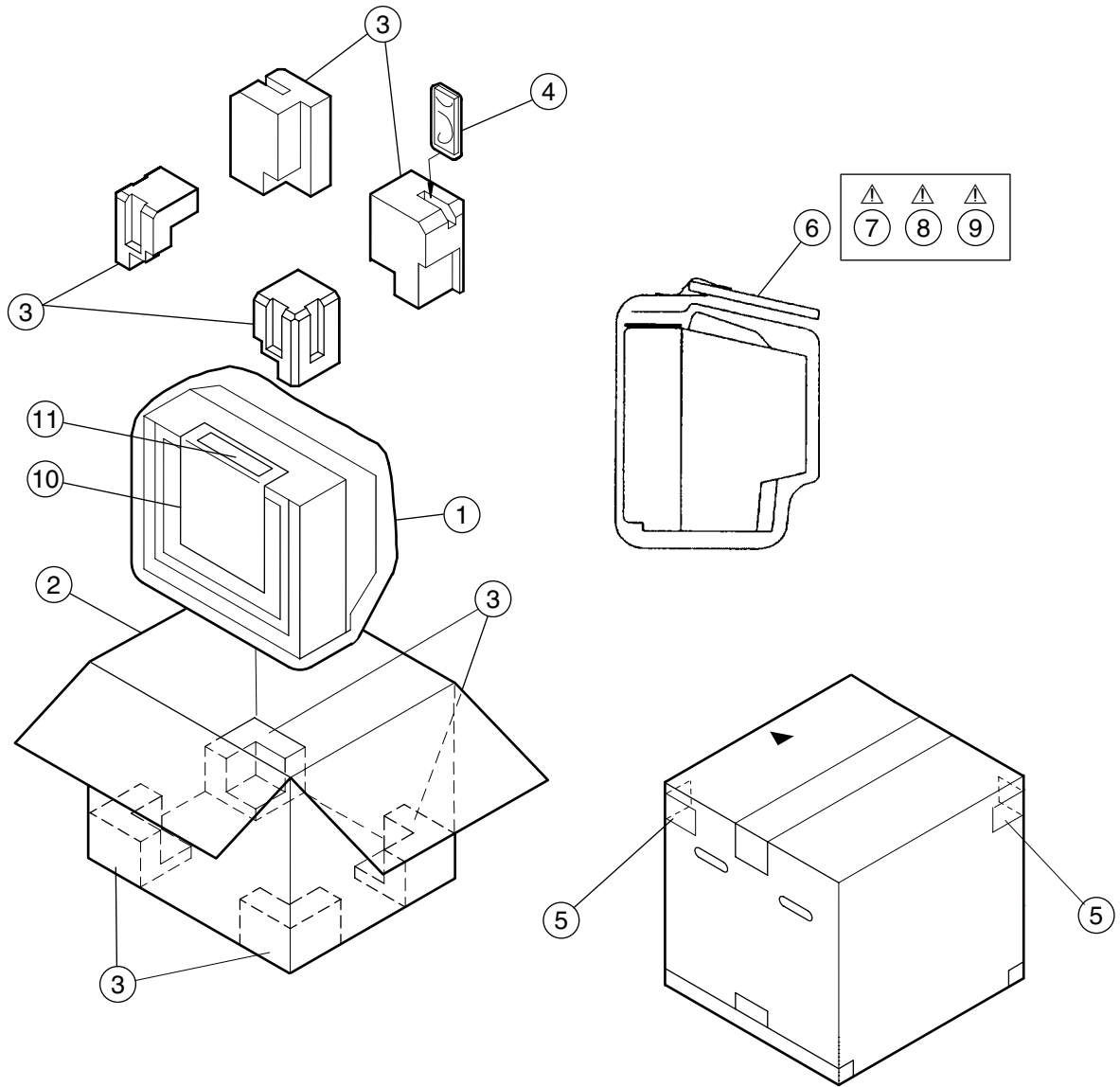
IC				
IC8481	LA6515	I.C(MONO-ANA)		
IC8801	GP1U281Q	IFR DETECT UNIT		

OTHERS				
	CM35921-005-H	CDS HOLDER		
	CM36626-B01-H	L.E.D.HOLDER		
△ F8901	QMF51E2-4R0J4	FUSE		
FC8901	CEMG002-001Z	FUSE CLIP		
J8302	QNN0279-003	PIN JACK		
J8303	QNN0279-002	PIN JACK		
J8304	QNN0279-001	PIN JACK		
J8801	QNS0155-001	JACK		
△ LF8901	QQR1035-002	LINE FILTER		
S8801	QSW0619-003Z	PUSH SWITCH		CH+
S8802	QSW0619-003Z	PUSH SWITCH		CH-
S8803	QSW0619-003Z	PUSH SWITCH		MENU
S8804	QSW0619-003Z	PUSH SWITCH		TV/VIDEO
S8805	QSW0619-003Z	PUSH SWITCH		VOL+
S8806	QSW0619-003Z	PUSH SWITCH		VOL-
△ S8901	QSW0750-001	PUSH SWITCH		POWER
△ VA8901	QAF0052-621	VARIATOR		
Y8401	NRSA63J-0R0X	MG R	0.0Ω 1/16W	J

REMOTE CONTROL UNIT PARTS LIST (RM-C357-1C)

△ Ref.No.	Part No.	Part Name	Description	Local
	31392340128	BATTERY COVER		

PACKING



PACKING PARTS LIST

△ Ref.No.	Part No.	Part Name	Description	Local
1	CP30967-004-H	POLY BAG		
2	GG10044-029A-H	P CASE		
3	LC11066-002B-H	CUSHION ASSY		
4	RM-C357-1C	RC HAND UNIT		
5	GG20012-001A-H	CORNER LABEL	(X2)	
6	CP30966-001-H	POLY BAG		
△ 7	LCT0935-001B-H	INST BOOK		
△ 8	LCT0937-001A-H	DIGEST MANUAL		
△ 9	QAM0055-001	CONVERSION PLUG	[AV-29LXB-A]	
10	LC30946-001A-H	CRT PROTECTOR		
11	LC30947-002A-H	CAUTION SHEET		